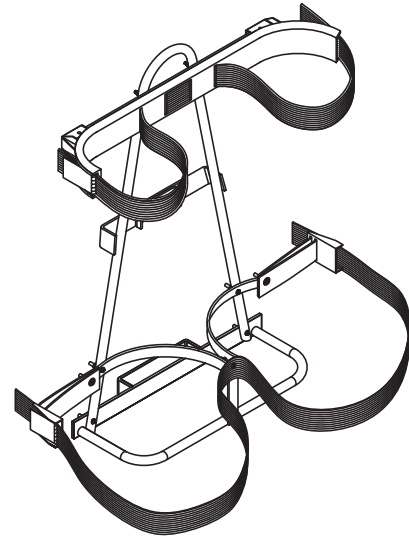




Part # 01-254

Golf Bag Attachment

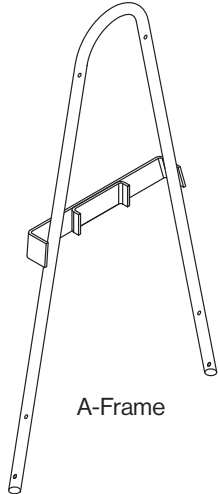


ITEMS INCLUDED

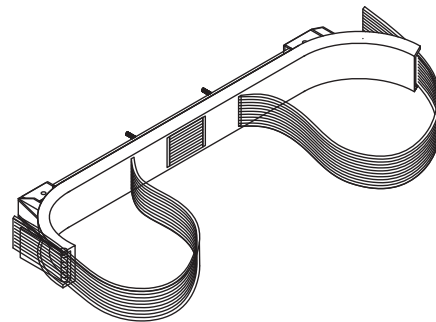
- A-Frame
- Base Bracket
- Lower Bag Rack
- Upper Bag Rack
- Hardware Kit

TOOLS NEEDED

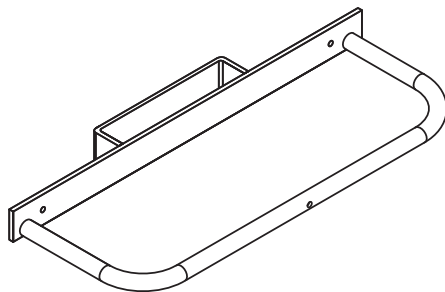
- All tools included



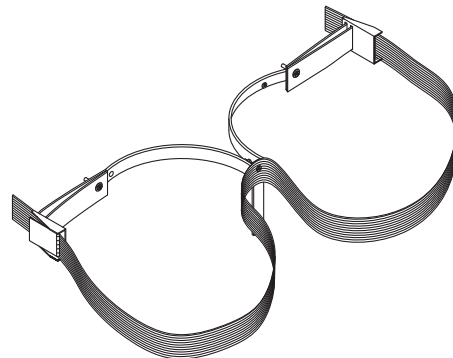
A-Frame



Upper Bag Rack



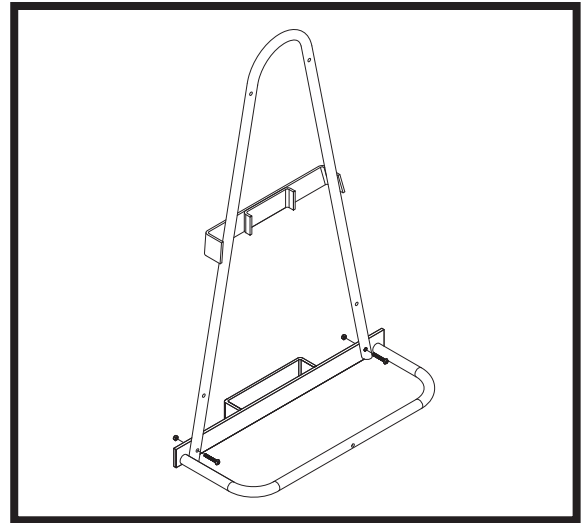
Base Bracket



Lower Bag Rack

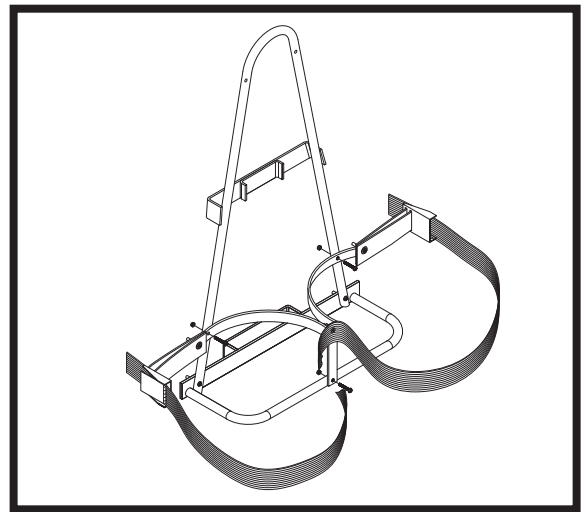
STEP 1

Install the base bracket to the A-frame and secure using the provided M6 screws and nuts.



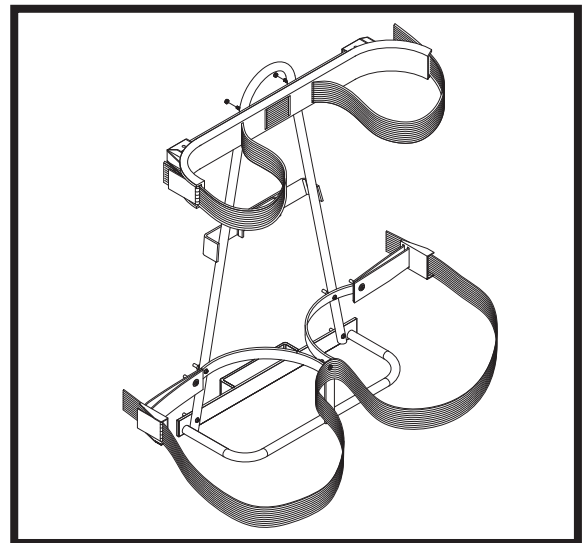
STEP 2

Attach the lower bag rack to the A-frame and lower bag rack using the provided hardware.



STEP 3

Install the upper bag rack to the A-frame and secure using provided hardware.



INSTALLATION COMPLETE

E-Z-GO®, TXT®, RXV® and S4® are registered trademarks of Textron Innovations, Inc. Club Car®, Precedent®, DS®, Onward® and Tempo® are registered trademarks of Ingersoll Rand, Inc. Yamaha®, Yamaha® Drive®, Drive2®, G-14®, G-16®, G-19®, G-22® and G-29® are registered trademarks of Yamaha Golf-Car Company. Any reference to Club Car®, E-Z-GO®, or Yamaha® or their associated trademarks, word marks, and products are only for purposes of identifying golf carts with which this MadJax product is compatible. MadJax products are aftermarket parts and are not original equipment parts. MadJax is not connected to, affiliated with, sponsored by, or endorsed by either Textron Innovations, Inc., Ingersoll Rand, Inc., Yamaha Golf Cart Company, or any of their parent or subsidiary companies.

